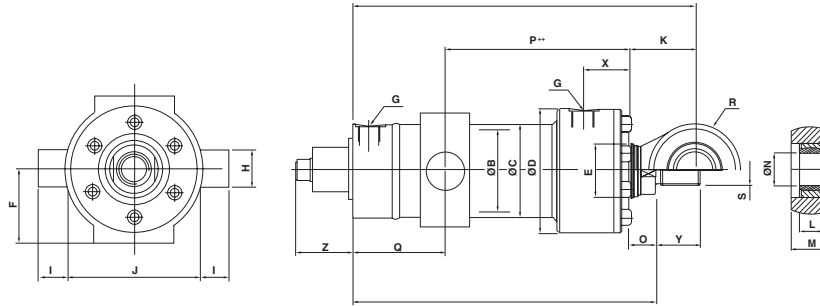


## Servo Actuator

### DIMENSIONS POS 250 SV

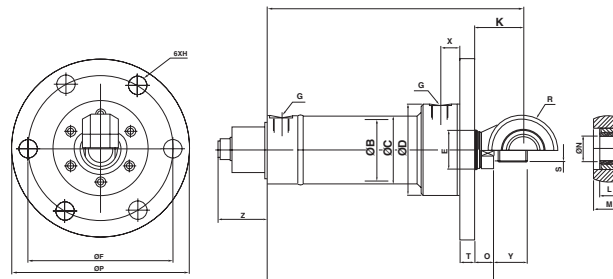


B	A	AA	C	D	E	F	G	H	I	J	K	L	M	N	O	P min	Q min	R	S	U	X	Y	Z***
40	175	151	50	72	25	39	R3/8"	20	20	70	40	16	20	20	16	90	70	25	M16x1.5	110	41	22	75
50	192	165	60	85	32	50	R1/2"	25	24	90	45	20	25	25	18	100	85	30	M20x1.5	115	44	28	75
63	208	176	73	100	40	60	R1/2"	32	30	108	52	32	30	32	20	105	85	35	M27x2	115	47	36	75
80	217	179	90	115	50	70	R1/2"	40	32	130	63	28	40	40	25	120	95	45	M33x2	115	49	45	75
100	255	210	110	150	63	88	R3/4"	50	40	158	75	35	50	50	30	125	100	55	M42x2	115	62	56	75

\*\*Standard position P = U 1/2 stroke

\*\*\*Dep. on choice of transducer

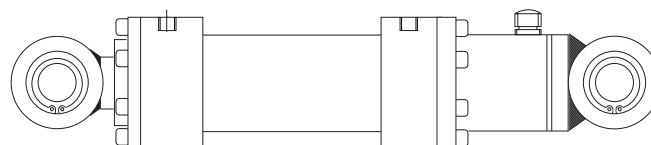
### POS 250 SF



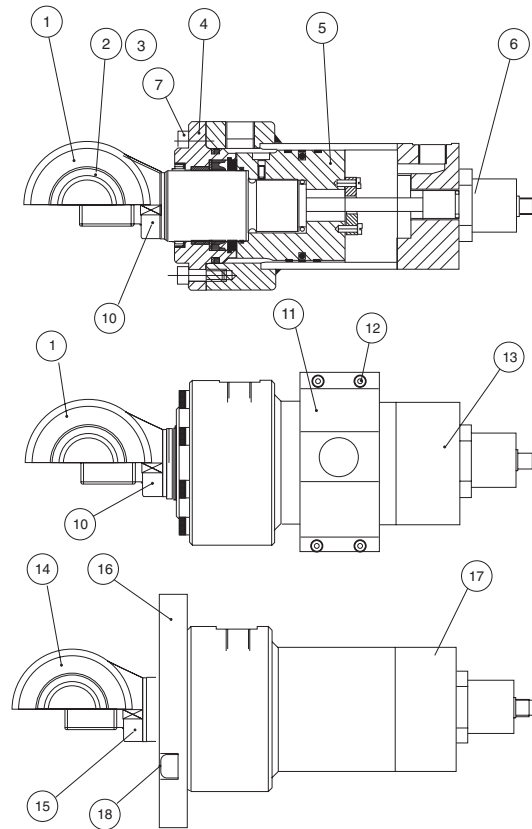
B	A	AA	C	D	E	F	G	H	K	L	M	N	O	P	R	S	T	X	Y	Z***
40	184	160	50	72	25	106	R3/8"	9	40	16	20	20	16	125	25	M16x1.5	16	34	22	75
50	205	178	60	85	32	121	R1/2"	11	45	20	25	25	18	145	30	M20x1.5	20	37	28	75
63	218	186	73	100	40	130	R1/2"	14	52	32	30	32	20	160	35	M27x2	20	37	36	75
80	232	194	90	115	50	150	R1/2"	16	63	28	40	40	25	185	45	M33x2	25	39	45	75
100	282	237	110	150	63	190	R3/4"	22	75	35	50	50	30	235	55	M42x2	30	49	56	75

\*\*\*Dep. on choice of transducer

### POS 250 SK



**POS 250 SPARE PARTS**



ITEM	UNIT	DESCRIPTION	40/25	50/32	63/40	80/50	100/63
1	1	Rod, K	34543*	34545*	34547*	34564*	34568*
2	2	Swivel head	71001	71003	71004	71000	71002
3	4	Circlip	72000	72001	72002	72003	72004
4	1	Front head	31001	31101	31201	31301	31401
5	1	Piston	32404	32405	32406	32301	32402
6	1	Transducer					
7	6	Screw	74001	74001			
7	8	Screw			74000	74000	74004
10	1	Rod, U	34544*	34546*	34548*	34565*	34569*
11	1	Trunnion	36000	36001	36200	36302	36401
12	4	Screw	74001	74001	74003	74000	74006
13	1	Housing, V	33560*	33561*	33562*	33563*	33564*
14	1	Rod, K	34533*	33535*	34537*	34566*	34570*
15	1	Rod, U	34534*	34536*	34538*	34567*	34571*
16	1	Flange	36001	36102	36201	36300	36304
17	1	Rod, F	33565*	33566*	33567*	33568*	33569*
18	6	Screw	74002	74002	74003	74007	74006
22	1	Seal kit	80032	80033	80034	80035	80036

\*Depending on stroke

## Disclaimer

All product specifications and data are subject to change without notice.

Vishay Precision Group, Inc., its affiliates, agents, and employees, and all persons acting on its or their behalf (collectively, "Vishay Precision Group"), disclaim any and all liability for any errors, inaccuracies or incompleteness contained herein or in any other disclosure relating to any product.

Vishay Precision Group disclaims any and all liability arising out of the use or application of any product described herein or of any information provided herein to the maximum extent permitted by law. The product specifications do not expand or otherwise modify Vishay Precision Group's terms and conditions of purchase, including but not limited to the warranty expressed therein, which apply to these products.

No license, express or implied, by estoppel or otherwise, to any intellectual property rights is granted by this document or by any conduct of Vishay Precision Group.

The products shown herein are not designed for use in medical, life-saving, or life-sustaining applications unless otherwise expressly indicated. Customers using or selling Vishay Precision Group products not expressly indicated for use in such applications do so entirely at their own risk and agree to fully indemnify Vishay Precision Group for any damages arising or resulting from such use or sale. Please contact authorized Vishay Precision Group personnel to obtain written terms and conditions regarding products designed for such applications.

Product names and markings noted herein may be trademarks of their respective owners.